

GENERAL

- THESE DRAWINGS SHALL BE READ IN CONJUNCTION WITH ALL OTHER CONSULTANTS' DRAWINGS AND SPECIFICATIONS. ALL DISCREPANCIES SHALL BE REFERRED TO THE DESIGNER/ENGINEER BEFORE PROCEEDING WITH THE WORK.
- ALL DIMENSIONS RELEVANT TO SETTING OUT AND OFF-SITE WORK SHALL BE VERIFIED BY THE CONTRACTOR BEFORE CONSTRUCTION IS COMMENCED. THE ENGINEER'S DRAWINGS SHALL NOT BE SCALED.
- DURING CONSTRUCTION, THE CONTRACTOR SHALL BE RESPONSIBLE FOR MAINTAINING THE STRUCTURE IN A STABLE CONDITION AND ENSURING NO PART SHALL BE OVERSTRESSED UNDER CONSTRUCTION ACTIVITIES.
- WORKMANSHIP AND MATERIALS ARE TO BE IN ACCORDANCE WITH THE RELEVANT AND CURRENT AUSTRALIAN STANDARDS INCLUDING ALL AMENDMENTS AND STATUTORY REQUIREMENTS, EXCEPT WHERE VARIED BY THE CONTRACT DOCUMENTS.
- ALL DIMENSIONS ARE IN MILLIMETRES UNLESS NOTED OTHERWISE.
- DESIGN WIND LOADS ARE IN ACCORDANCE WITH AS/NZS 4055 - 2012 AS FOLLOWS:

REGION:	C
TERRAIN CATEGORY	2
SHIELDING CLASS	NS
TOPOGRAPHIC FACTOR	T0
WIND CLASSIFICATION	C2
INTL PRESSURE COEFFICIENT	+0.7/-0.65
- DESIGN LIVE LOADINGS ARE IN ACCORDANCE WITH AS/NZS 1170.1-2002 AS FOLLOWS:

BALCONY	2.0kPa
FLOOR	1.5kPa
ROOF	0.25kPa
- ALL ITEMS CALLED UP BY A TRADE NAME MAY BE SUBSTITUTED BY AN EQUIVALENT ITEM WITH SIMILAR PROPERTIES, SUBJECT TO THE ENGINEER'S WRITTEN APPROVAL.

SITE PREPARATION AND FOUNDATIONS

- STRIP TOP SOIL TO THE RELATIVE LEVELS SHOWN ON THE ARCHITECTS DRAWINGS. THE EXPOSED AREA SHALL THEN BE PROOF ROLLED TO ENSURE THAT NO LOCAL SOFT SPOTS EXIST.
- CONTROLLED FILL UNDER BUILDINGS SHALL CONSIST OF SAND (WITH LESS THAN 15% RETAINED ON THE 75 MICRON SIEVE) PLACED AND COMPACTED FOR ITS ENTIRE DEPTH TO A DENSITY INDEX OF MORE THAN 65% ACCORDING TO AS 1289. ALTERNATIVELY, FOR FILL UP TO 800mm DEEP, A BLOW COUNT OF 7 OR MORE MAY BE SATISFACTORY WHEN TESTED IN-SITU WITH A PENETROMETER IN ACCORDANCE WITH AS 1289.
- TEST CERTIFICATES OF ACTUAL DENSITIES TO BE PROVIDED BY THE CONTRACTOR.
- THE CONTRACTOR SHALL CHECK ALL FOOTING EXCAVATIONS FOR ORGANIC MATERIAL AND RUBBISH. IF ANY OF THIS MATERIAL IS FOUND, IT SHALL BE REMOVED AND THE EXCAVATION BACKFILLED WITH CLEAN GRANULAR FILL.
- IF DISTURBED, THE BOTTOM OF THE EXCAVATIONS SHALL BE COMPACTED TO A RELATIVE DRY DENSITY OF 100% AS DETERMINED IN ACCORDANCE WITH AS 1289.5.4.1-2007 AND AS 1289.5.1.1-2003.
- THE FOOTINGS HAVE BEEN DESIGNED TO BE FOUNDED IN A STABLE MATERIAL WITH A SAFE ALLOWABLE BEARING CAPACITY OF 100kPa. SLABS HAVE BEEN DESIGNED TO BE FOUNDED ON MATERIAL WITH A MINIMUM CBR OF 5% OR BETTER. SHOULD CONDITIONS OTHER THAN THOSE DESCRIBED ABOVE BE ENCOUNTERED, THEN THE MATTER IS TO BE REFERRED TO THE ENGINEER FOR POSSIBLE RE-DESIGN.

SITE DETAILS

CONFIRM THE FOLLOWING AND REFER ANY DISCREPANCIES TO THE ENGINEER:

- REAL PROPERTY DESCRIPTION: LOT 01 ON RP1010.
- THE SITE HAS SOME FALL.
- THE SITE IS NOT SUBJECT TO EXISTING CONCENTRATED OVERLAND FLOW.
- NO TREES HAVE RECENTLY BEEN REMOVED FROM THIS SITE PRIOR TO CONSTRUCTION.
- THERE ARE NO EXISTING TREES ON THIS OR ADJOINING SITES LOCATED CLOSER TO THIS BUILDING THAN 1.5 TIMES THEIR MATURE HEIGHT.
- THE SITE HAS BEEN FILLED. THE FILL HAS BEEN PLACED IN ACCORDANCE WITH ENGINEERING PRICIPLES AS CONFIRMED BY FIELD COMPACTION TESTING BY CARDNO CONSTRUCTION SCIENCES.
- SITE CONDITIONS ARE CONTROLLED FILL OVERLYING DENSE, NON-PLASTIC SILTY SAND OVERLYING HIGH PLASTIC SANDY CLAY WITH AN ALLOWABLE BEARING CAPACITY OF MORE THAN 100kPa.
- THERE ARE NO SEWER MAINS ADJACENT TO THE BUILDING.

CONCRETE

- ALL WORKMANSHIP AND MATERIAL SHALL BE IN ACCORDANCE WITH AS 3600-2009. ALL FORMWORK SHALL BE DESIGNED AND CONSTRUCTED IN ACCORDANCE WITH AS 3610-1995.
- MINIMUM COVER TO REINFORCEMENT TO BE AS FOLLOWS U.N.O. ON THE DRAWINGS.

FOOTINGS	50mm
EXTERNAL GROUND SLABS	40mm
INTERNAL GROUND SLABS	
- TOP COVER	30mm
- BOTTOM COVER TO MEMBRANE	40mm
- CONCRETE GRADE SHALL BE AS FOLLOWS:

FOOTINGS	N20
INTERNAL SLAB	N25
EXTERNAL SLAB	N25
- REINFORCEMENT IS REPRESENTED DIAGRAMMATICALLY AND NOT NECESSARILY SHOWN IN TRUE PROJECTION.
- ALL REINFORCEMENT SHALL BE SUPPORTED IN ITS CORRECT POSITION SO AS NOT TO BE DISPLACED DURING CONCRETING, ON APPROVED BAR CHAIRS AT 1000mm MAXIMUM CENTRES BOTH WAYS. WHERE REQUIRED PROVIDE SUPPORT BARS N16 AT 1000mm MAXIMUM CENTRES.
- REINFORCEMENT SYMBOLS:-

SL	HARD DRAWN STEEL WIRE REINFORCING FABRIC TO AS/NZS 4671-2001.
N	HOT ROLLED DEFORMED BARS TO AS/NZS 4671-2001.
R	STRUCTURAL GRADE PLAIN ROUND BAR TO AS/NZS 4671-2001.
W	REINFORCED WIRE TO AS/NZS 4671-2001.
- IF CONCRETE IS PLACED IN HOT AND/OR WINDY WEATHER (>28°), AN ALIPHATIC FOG SPRAY IS RECOMMENDED TO REDUCE EVAPORATION.
- PIPES, CONDUITS AND OTHER CAST-IN ELEMENTS SHALL BE POSITIONED TO ALLOW WET CONCRETE TO FLOW AROUND ALL REINFORCEMENT. DO NOT TIE CONDUITS ALONGSIDE REINFORCEMENT.
- WELDING OR SITE BENDING OF REINFORCEMENT IS NOT PERMITTED WITHOUT APPROVAL FROM THE SUPERINTENDENT.
- SLAB SURFACE AND EXPOSED SIDES SHALL BE CURED FOR A PERIOD OF AT LEAST 7 DAYS BY AN APPROVED METHOD OF CURING. (MOIST CURING, SPRAYED MEMBRANE OR IMPERMEABLE PLASTIC).

CONCRETE MASONRY

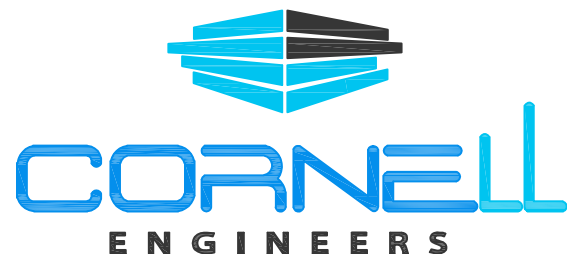
- ALL WORKMANSHIP AND MATERIALS SHALL BE IN ACCORDANCE WITH AS 3700-2011.
- ALL CONCRETE MASONRY BLOCKS SHALL HAVE A CHARACTERISTIC UNCONFINED COMPRESSIVE STRENGTH OF 15MPa.
- MORTAR FOR BLOCKWORK SHALL BE OF CLASSIFICATION M3 ABOVE GROUND & M4 BELOW GROUND.
- MINIMUM 28 DAY COMPRESSIVE STRENGTH OF COREFILLING GROUT SHALL BE 20MPa, AND A SLUMP OF 230-/+ 25mm. AGGREGATE SIZE SHALL BE 10mm. GROUT SHALL HAVE A CEMENT CONTENT OF NOT LESS THAN 300kg/m3.
- MINIMUM GROUT COVER TO ANY REINFORCEMENT SHALL BE 20mm.
- NO CHASES SHALL BE CUT INTO BLOCKWORK WITHOUT THE APPROVAL OF THE ENGINEER.
- ALL WALL INTERSECTIONS SHALL BE BONDED CONSTRUCTION.
- SHORE RETAINING WALLS UNTIL CORE FILLING HAS CURED AND UNTIL FULLY SUPPORTED BY FLOOR FRAMING OVER WHERE APPLICABLE.

STRUCTURAL TIMBER

- ALL WORKMANSHIP AND MATERIALS SHALL BE IN ACCORDANCE WITH AS1720.1-2010 AND ALL OTHER RELEVANT CODES OF PRACTICE.
- ABNORMALLY GREEN OR SPLIT TIMBER SHALL BE REJECTED.
- TIMBER AT JOINTS SHALL BE FREE OF DEFECTS.
- UNLESS NOTED OTHERWISE, STRUCTURAL TIMBER SHALL BE MGP12 OF JOINT GROUP JD4 TIMBER OR BETTER.
- IT SHALL BE THE RESPONSIBILITY OF THE BUILDER TO ENSURE THAT TIMBER IS PROTECTED FROM THE WEATHER AND STRENGTH IS NOT IMPAIRED IN ANY WAY.
- THE TOLERANCE ON TIMBER ELEMENT DIMENSIONS SHALL BE -0,+3mm.
- ALL EXPOSED TIMBER SHALL BE OF DURABILITY CLASS 2 OR BETTER.
- ALL BOLTS, SCREWS AND NAILS TO BE GALVANISED AND INSTALLED IN ACCORDANCE WITH AS1720.1-2010.
- ALL NAIL AND SCREW PENETRATIONS NOMINATED ARE TO BE INTO RECEIVING MEMBER.
- ALL PLYWOOD IS TO BE STAMPED "PAA TESTED STRUCTURAL".
- ALL BOLTS IN TIMBER TO TIMBER BOLTED STRUCTURAL JOINTS SHALL BE PROVIDED WITH A WASHER AT EACH END IN ACCORDANCE WITH AS1720.1-2010.
- ALL BOLTS IN CONTACT WITH CCA PRESERVATIVE TREATED TIMBER SHALL BE COATED IN GREASE OR OTHERWISE INSULATED FROM THE PRESERVATIVE TREATED TIMBER PRIOR TO ERECTION.
- WHERE NO OTHER DETAILS ARE GIVEN, WORK SHALL CONFORM TO AS1684.3-2010 FOR THE SPECIFIED WIND SPEED.

ISSUED FOR CONSTRUCTION

0	FOR CONSTRUCTION	MAC	MAC	21/03/13		
Rev	Description	Designed	Approved	Date		



PO BOX 2572
ASCOT QLD 4007

PHONE: 07 3102 2835

ABN 71 105 354 327

CORNELLENGINEERS.COM.AU

Project PROPOSED DISPLAY HOME	Job No. SAMPLE	Scale NTS
Title PROJECT SPECIFIC NOTES	Drawing No. S1	Revision 0

WORKPLACE HEALTH AND SAFETY DESIGN REPORT

THESE NOTES SHOULD BE READ AND UNDERSTOOD BY ALL INVOLVED IN THE PROJECT.

THIS INCLUDES (BUT IS NOT LIMITED TO): CLIENT, OWNER, PRINCIPAL CONTRACTOR, SUB-CONTRACTORS, TRADE-CONTRACTORS, CONSULTANTS, RENOVATORS, OPERATORS, MAINTENANCE WORKERS, DEMOLISHERS OR GENERAL WORKERS.

GENERAL

PROPER PERSONAL PROTECTIVE EQUIPMENT (PPE) SHOULD BE PROVIDED, USED, WORN AND CURRENT AT ALL TIMES.

AN ADEQUATE FIRST AID KIT SHOULD BE PRESENT AND MAINTAINED ON SITE AT ALL TIMES.

SLIPS, TRIPS AND FALLS

1. CONSTRUCTION, CLEANING AND MAINTENANCE OF THIS BUILDING MAY REQUIRE PERSONS TO BE SITUATED WHERE A FALL IN EXCESS OF 1.4m IS POSSIBLE. WHERE THIS ACTIVITY CANNOT BE AVOIDED, SCAFFOLDING, LADDERS, FALL BARRIERS AND/OR PPE SHOULD BE USED IN ACCORDANCE WITH THE RELEVANT GUIDELINES, REGULATIONS OR LEGISLATION. CARE SHOULD BE TAKEN TO PREVENT A FALL FROM ANY HEIGHT.
2. THE SITE SHOULD BE KEPT TIDY AND FREE OF TRIP HAZARDS AT ALL TIMES, INCLUDING DURING CONSTRUCTION, MAINTENANCE AND EVERYDAY USE.
3. ADEQUATE LIGHTING SHOULD BE PROVIDED AT ALL TIMES DURING CONSTRUCTION AND MAINTENANCE AND WHEN THE BUILDING IS BEING USED TO ENSURE SAFE WORKING CONDITIONS.
4. ACCESSWAYS AND PATHS SHOULD BE MONITORED AT ALL TIMES TO ENSURE SURFACES ARE KEPT FREE OF ANY OBJECTS THAT MAY CAUSE A SLIP OR TRIP HAZARD. MAINTENANCE SHOULD BE CARRIED OUR REGULARLY TO KEEP ALL SURFACES EVEN.

MANUAL TASKS

1. ANY ITEMS WITH A MASS GREATER THAN 25kg SHOULD BE LIFTED BY TWO OR MORE WORKERS, OR WITH THE AID OF A MECHANICAL LIFTING DEVICE. WHERE POSSIBLE, COMPONENTS SHOULD BE STORED IN A WAY WHICH MINIMISES THE NEED FOR BENDING BEFORE LIFTING.
2. ALL PORTABLE TOOLS USED DURING CONSTRUCTION, MAINTENANCE AND DEMOLITION OF THIS BUILDING SHOULD BE PROPERLY MAINTAINED IN ACCORDANCE WITH THE MANUFACTURER'S SPECIFICATIONS.

FALLING OBJECTS

1. CONSTRUCTION, MAINTENANCE OR DEMOLITION WORK ON OR AROUND THIS BUILDING IS LIKELY TO INVOLVE PERSONS WORKING ABOVE GROUND LEVEL.WHERE THIS OCCURS, ONE OR MORE OF THE FOLLOWING MEASURES SHOULD BE TAKEN TO PREVENT INJURY FROM FALLING OBJECTS:
 - PREVENT OR RESTRICT ACCESS TO AREAS BELOW WHERE THE WORK IS BEING CARRIED OUT BY THE USE OF APPROPRIATE BARRICADES.
 - PROVIDE TOE-BOARDS TO SCAFFOLDING OR WORK PLATFORMS.
 - PROVIDE MESH BARRICADES TO THE SIDE OF SCAFFOLDING OR WORK PLATFORMS.
 - PROVIDE PROTECTIVE STRUCTURES, HOARDING AND GANTRIES BELOW THE WORK AREA.
 - ENSURE ALL PERSONS BELOW THE WORK AREA HAVE SUITABLE PPE (HARD HATS, SAFETY FOOTWEAR, EYE PROTECTION ETC.) AND THAT IT IS USED CORRECTLY.
2. DURING CONSTRUCTION, RENOVATION OR DEMOLITION OF THIS BUILDING, PARTS OF THE STRUCTURE WILL REMAIN STANDING PRIOR TO OR AFTER SUPPORTING ELEMENTS ARE IN PLACE. CONTRACTORS SHOULD ENSURE THAT TEMPORARY BRACING OR OTHER REQUIRED SUPPORTS ARE IN PLACE AT ALL TIMES TO PREVENT COLLAPSE.
3. DURING CONSTRUCTION, RENOVATION, MAINTENANCE OR DEMOLITION MECHANICAL LIFTING OF MATERIALS MAY BE REQUIRED. WHERE SUCH LIFTING IS NECESSARY, ENSURE THAT APPROPRIATE LIFTING DEVICES ARE USED, THAT LOADS ARE APPROPRIATE AND ARE PROPERLY SECURED AND THAT ACCESS TO AREAS BELOW THE LOAD IS PREVENTED OR RESTRICTED.

PUBLIC ACCESS

1. PUBLIC ACCESS TO CONSTRUCTION AND DEMOLITION SITES AND AREAS UNDER MAINTENANCE CAN CAUSE RISK TO WORKERS AND THE PUBLIC. WARNING SIGNS AND BARRIERS SHOULD BE PROVIDED TO PREVENT UNAUTHORISED ACCESS. ELECTRICAL INSTALLATIONS, EXCAVATIONS, PLANT AND LOOSE MATERIAL SHOULD BE SECURED WHEN NOT FULLY SUPERVISED.

TRAFFIC MANAGEMENT

1. PARKING OF VEHICLES OR LOADING/UNLOADING OF VEHICLES ON THIS SITE/ROADWAY MAY CAUSE A TRAFFIC HAZARD. PARKING FOR WORKERS AND LOADING AREAS SHOULD BE PROVIDED AND SUPERVISED BY TRAINED TRAFFIC MANAGEMENT PERSONNEL.
2. CONSTRUCTION OF THIS BUILDING MAY REQUIRE LOADING AND UNLOADING OF MATERIALS ON THE ROADWAY. DELIVERIES SHOULD BE WELL PLANNED TO AVOID CONGESTION OF LOADING AREAS. LOADING AND UNLOADING SHOULD BE SUPERVISED BY TRAINED TRAFFIC MANAGEMENT PERSONNEL.
3. PLANT OPERATING ON THIS SITE MAY CAUSE A RISK OF COLLISION. A TRAFFIC MANAGEMENT PLAN SHOULD BE ADOPTED AND SUPERVISED BY TRAINED TRAFFIC MANAGEMENT PERSONNEL.
4. ANY TEMPORARY ROAD CLOSURES ARE TO COMPLY WITH ALL LOCAL GOVERNMENT REQUIREMENTS. THE PRINCIPAL CONTRACTOR IS TO COMPLETE ALL NECESSARY DOCUMENTATION FOR TRAFFIC MANAGEMENT, SIGNAGE, BARRICADES, TRAFFIC CONTROLLERS ETC.

SERVICES

1. UNDERGROUND SERVICES MAY BE PRESENT AT THIS SITE. ALL SERVICES SHOULD BE LOCATED (USING DIAL BEFORE YOU DIG OR A SPECIALIST CONTRACTOR) AND CLEARLY MARKED PRIOR TO ANY WORKS COMMENCING.
2. OVERHEAD POWER LINES ARE PRESENT AT THIS SITE. WHERE THERE IS A RISK OF WORKERS OF PLANT COMING INTO CONTACT WITH POWER LINES THEY SHOULD BE DISCONNECTED OR RELOCATED. WHERE THIS IS NOT POSSIBLE, POWER LINES SHOULD BE CLEARLY MARKED WITH BRIGHT COLOURED MARKERS AND SIGNAGE SHOULD BE PROVIDED AT GROUND LEVEL.
3. DURING RENOVATION AND MAINTENANCE WORK, ALL EXISTING SERVICES WITHIN THE WORK AREA SHOULD BE LOCATED PRIOR TO WORK COMMENCING. IF DISCONNECTION IS NOT POSSIBLE, SERVICES SHOULD BE CLEARLY MARKED TO AVOID ANY RISK OF CONTACT OR RUPTURE.
4. ANY TEMPORARY SERVICES ARE TO BE CLEARLY MARKED AND HAVE ALL NECESSARY PROTECTIVE COVERINGS FOR THE PROPER PERFORMANCE OF THE WORK IN ACCORDANCE WITH THE REQUIREMENTS OF THE RELEVANT AUTHORITIES.

HAZARDOUS SUBSTANCES

1. IF THIS BUILDING WAS CONSTRUCTED PRIOR TO 1990 IT MAY CONTAIN ASBESTOS IN EITHER CLADDING MATERIAL OR FIRE RETARDANT INSULATION MATERIAL. THE BUILDER SHOULD CHECK FOR THE PRESENCE OF ASBESTOS PRIOR TO ANY WORKS COMMENCING AND IF PRESENT, TAKE APPROPRIATE ACTION.
2. MANY MATERIALS USED IN THE CONSTRUCTION OF THIS BUILDING CAN CAUSE HARM IF INHALED IN POWDERED FORM. PERSONS WORKING ON OR IN THE BUILDING DURING CONSTRUCTION, MAINTENANCE OR DEMOLITION SHOULD ENSURE GOOD VENTILATION AND WEAR PERSONAL PROTECTIVE EQUIPMENT INCLUDING PROTECTION AGAINST INHALATION WHILE USING POWDERED MATERIALS OR WHEN SANDING, DRILLING, CUTTING OR OTHERWISE DISTURBING OR CREATING POWDERED MATERIAL.
3. TREATED TIMBER MAY BE USED IN THIS BUILDING. DUST OR FUMES FROM THIS MATERIAL CAN BE HARMFUL. PERSONS WORKING ON OR IN THIS BUILDING DURING CONSTRUCTION, MAINTENANCE OR DEMOLITION SHOULD ENSURE GOOD VENTILATION AND WEAR APPROPRIATE PERSONAL PROTECTIVE EQUIPMENT. DO NOT BURN TREATED TIMBER.
4. MANY TYPES OF GLUE, SOLVENTS, SPRAY PACKS, PAINTS, VARNISHES AND SOME CLEANING MATERIALS AND DISINFECTANTS HAVE DANGEROUS EMISSIONS. AREAS WHERE THESE ARE USED SHOULD BE KEPT WELL VENTILATED. PERSONAL PROTECTIVE EQUIPMENT MAY BE REQUIRED. THE MANUFACTURERS RECOMMENDATIONS FOR USE MUST BE CAREFULLY CONSIDERED AT ALL TIMES.
5. FIBREGLASS, ROCKWOOL, CERAMIC AND OTHER MATERIAL USED FOR THERMAL OR SOUND INSULATION MAY CONTAIN SYNTHETIC MINERAL FIBRE WHICH MAY BE HARMFUL IF INHALED OR IF IT COMES INTO CONTACT WITH THE SKIN, EYES OR OTHER SENSITIVE PARTS OF THE BODY. APPROPRIATE PERSONAL PROTECTIVE EQUIPMENT SHOULD BE WORN AT ALL TIMES WHEN INSTALLING, REMOVING OR WORKING WITH SUCH MATERIALS.
6. THIS BUILDING CONTAINS TIMBER FLOORS WHICH HAVE AN APPLIED FINISH. AREAS WHERE FINISHES ARE APPLIED SHOULD BE KEPT WELL VENTILATED DURING SANDING AND APPLICATION AND FOR A PERIOD AFTER INSTALLATION. PERSONAL PROTECTIVE EQUIPMENT MAY BE REQUIRED. THE MANUFACTURERS RECOMMENDATIONS FOR USE MUST BE CAREFULLY CONSIDERED AT ALL TIMES.

ISSUED FOR CONSTRUCTION

0	FOR CONSTRUCTION	MAC	MAC	21/03/13
Rev	Description	Designed	Approved	Date



PO BOX 2572
ASCOT QLD 4007

PHONE: 07 3102 2835

ABN 71 105 354 327

CORNELLENGINEERS.COM.AU

Project PROPOSED DISPLAY HOME ----	Job No. SAMPLE	Scale NTS
Title SAFE DESIGN NOTES SHEET 1 OF 2	Drawing No. S2	Revision 0

CONFINED SPACES

1. CONSTRUCTION AND MAINTENANCE OF THIS BUILDING MAY REQUIRE EXCAVATION AND INSTALLATION OF ITEMS WITHIN EXCAVATIONS. SPECIAL CARE MUST BE TAKEN WHEN WORKERS ARE REQUIRED TO ENTER A TRENCH MORE THAN 1.5m DEEP.
2. THE SOIL INVESTIGATION REPORT SHOULD BE READ AND ASSESSED BEFORE ANY EXCAVATION WORK IS COMMENCED.
3. WHERE PRACTICAL, INSTALLATION SHOULD BE CARRIED OUT USING METHODS WHICH DO NOT REQUIRE WORKERS TO ENTER THE EXCAVATION. WHERE THIS IS NOT PRACTICAL, ADEQUATE SUPPORT FOR THE EXCAVATED AREA SHOULD BE PROVIDED TO PREVENT COLLAPSE. VEHICLES SHOULD BE RESTRICTED FROM ENTERING THE AREA NEAR THE EXCAVATION.
4. ENCLOSED SPACES WITHIN THIS BUILDING MAY PRESENT A RISK TO PERSONS ENTERING FOR CONSTRUCTION, MAINTENANCE OR ANY OTHER PURPOSE. WARNING SIGNS AND BARRIERS RESTRICTING ACCESS TO UNAUTHORISED PERSONS SHOULD BE INSTALLED AND MAINTAINED THROUGHOUT THE LIFE OF THE BUILDING. WHERE WORKERS ARE REQUIRED TO ENTER ENCLOSED SPACES, AIR TESTING EQUIPMENT AND PERSONAL PROTECTIVE EQUIPMENT SHOULD BE PROVIDED.
5. SOME SMALL SPACES WITHIN THIS BUILDING REQUIRE ACCESS FOR CONSTRUCTION AND MAINTENANCE WORKERS. WARNING SIGNS AND BARRIERS RESTRICTING ACCESS TO UNAUTHORISED PERSONS SHOULD BE INSTALLED AND MAINTAINED THROUGHOUT THE LIFE OF THE BUILDING. WHERE WORKERS ARE REQUIRED TO ENTER SMALL SPACES THEY SHOULD BE SCHEDULED SO THAT ACCESS IS FOR SHORT PERIODS. MANUAL LIFTING AND OTHER ACTIVITIES SHOULD BE RESTRICTED IN SMALL SPACES.

OTHER HIGH RISK ACTIVITY

1. ALL ELECTRICAL WORK SHOULD BE CARRIED OUT IN ACCORDANCE WITH: *CODE OF PRACTICE: MANAGING ELECTRICAL RISKS AT THE WORKPLACE, AS/NZ 3012* AND ALL LICENSING REQUIREMENTS. NEW ELECTRICAL INSTALLATION ON CONSTRUCTION AND DEMOLITION SITES MUST BE IN ACCORDANCE WITH THE WIRING RULES OF AS/NZS 3000 AND APPROPRIATE REQUIREMENTS OF AS/NZA 3012:2010.
2. ALL WORK USING PLANT SHOULD BE CARRIED OUT IN ACCORDANCE WITH: *CODE OF PRACTICE: MANAGING RISKS OF PLANT AT THE WORKPLACE*.
3. ALL WORK SHOULD BE CARRIED OUT IN ACCORDANCE WITH: *CODE OF PRACTICE: MANAGING NOISE AND PREVENTING HEARING LOSS AT WORK*.
4. DUE TO THE HISTORY OF SERIOUS INCIDENTS, IT IS RECOMMENDED THAT PARTICULAR CARE BE EXERCISED WHEN UNDERTAKING ANY WORK INVOLVING STEEL CONSTRUCTION AND CONCRETE PLACEMENT.

FIRE FIGHTING

1. THE CLIENT/OWNER IS TO ENSURE THAT APPROPRIATE FIRE FIGHTING EQUIPMENT IS PROVIDED ON SITE DURING CONSTRUCTION AND MAINTAINED FOR THE LIFE OF THE BUILDING.
2. ALL FIRE FIGHTING EQUIPMENT IS TO BE PROVIDED AND MAINTAINED IN ACCORDANCE WITH THE RELEVANT AUSTRALIAN STANDARDS.

OPERATIONAL USE OF BUILDING

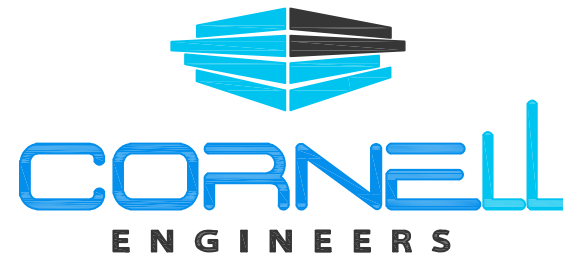
1. THIS BUILDING HAS BEEN DESIGNED AS A RESIDENTIAL BUILDING. IF IT, AT A LATER DATE, IS USED OR INTENDED TO BE USED AS A WORKPLACE, THE PROVISIONS OF THE WORK HEALTH AND SAFETY ACT 2011 OR SUBSEQUENT REPLACEMENT ACT SHOULD BE APPLIED TO THE NEW USE.

GENERAL WORKPLACE HEALTH AND SAFETY REQUIREMENTS

1. THE CLIENT/OWNER IS TO ENSURE THAT THE PRINCIPAL CONTRACTOR COMPLIES WITH ALL REQUIREMENTS OF THE NATIONAL WH&S ACT 2011, WORKPLACE HEALTH AND SAFETY REGULATIONS 2011 AND CODES OF PRACTICE DURING THE CONSTRUCTION OF THE BUILDING.
2. THE PRINCIPAL CONTRACTOR MEANS THE BUILDER WHO HAS OBTAINED THE BUILDING PERMIT AND WHOSE LICENCE NUMBER IS BEING USED FOR THE CONTRACT.
3. THE CLIENT/OWNER SHOULD ENSURE THAT THE PRINCIPAL CONTRACTOR COMPLETES A CONSTRUCTION WORKPLACE PLAN AS APPLICABLE UNDER THE WH&S LEGISLATION.
4. THE CLIENT/OWNER SHOULD ENSURE THAT THE PRINCIPAL CONTRACTOR AND ALL TRADE CONTRACTORS COMPLETE WORK METHOD STATEMENTS (WMS) AS APPLICABLE UNDER THE WH&S LEGISLATION BEFORE ANY WORK COMMENCES.
5. THE CLIENT/OWNER SHOULD ENSURE THAT WORKERS HAVE A CURRENT GENERAL SAFETY INDUCTION (WHITE OR BLUE) CARD.
6. THE CLIENT/OWNER SHOULD ENSURE THAT THE PRINCIPAL CONTRACTOR CONDUCTS THE NECESSARY SITE SPECIFIC INDUCTION AS REQUIRED BY WH&S LEGISLATION.
7. THE CLIENT/OWNER/BUILDING SHOULD ENSURE THAT THE PRINCIPAL CONTRACTOR HAS THE APPROPRIATE FIRST AID KITS AND THAT THEY ARE MAINTAINED AND KEPT ON SITE FOR THE DURATION OF THE CONSTRUCTION.
8. THE CLIENT/OWNER SHOULD ENSURE THAT THE PRINCIPAL CONTRACTOR, TRADE CONTRACTORS AND WORKERS MEET ALL OF THEIR WH&S OBLIGATIONS DURING CONSTRUCTION.
9. THE CLIENT/OWNER SHOULD ENSURE THAT THE PRINCIPAL CONTRACTOR AND TRADE CONTRACTORS ENSURE ONLY EXPERIENCED, QUALIFIED, LICENSED PERSONS ARE EMPLOYED TO CARRY OUT THE WORK.
10. THE CLIENT/OWNER SHOULD ENSURE THAT THE PRINCIPAL CONTRACTOR HAS PUT IN PLACE THE WORKPLACE HEALTH AND SAFETY CONTROL MEASURES IN ACCORDANCE WITH WHA&S REGULATION FOR ALL HIGH RISK CONSTRUCTION WORK INCLUDING BUT NOT LIMITED TO: CONSTRUCTION SAFETY PLAN, WORK METHOD STATEMENTS, ROOF EDGE PROTECTION, SCAFFOLDS AND WORK PLATFORMS, WORK PLATFORMS ON TRESTLE LADDERS, FALL ARREST PLATFORMS, TRAVEL RESTRAINT SYSTEMS, FALL ARREST HARNESS SYSTEMS, STAIR VOID PROTECTION, BALCONY EDGE PROTECTION, INDUSTRIAL SAFETY NETS AND EXCAVATION FALLS PROTECTION.

ISSUED FOR CONSTRUCTION

0	FOR CONSTRUCTION	MAC	MAC	21/03/13			
Rev	Description	Designed	Approved	Date			



PO BOX 2572
ASCOT QLD 4007

PHONE: 07 3102 2835

ABN 71 105 354 327

CORNELLENGINEERS.COM.AU

Project PROPOSED DISPLAY HOME ----	Job No. SAMPLE	Scale NTS			
Title SAFE DESIGN NOTES SHEET 2 OF 2	Drawing No. S3	Revision 0			

SPECIAL REQUIREMENTS FOR CLASS M SITES

1. SURFACE DRAINAGE SHALL BE CONTROLLED FROM THE START OF THE SITE PREPARATION AND CONSTRUCTION.
2. WATER RUN-OFF SHALL BE COLLECTED AND CHANNLED AWAY FROM THE BUILDING DURING CONSTRUCTION.
3. WATER SHALL NOT BE ALLOWED TO POND IN THE TRENCHES.
4. THE BASE OF TRENCHES SHALL BE SLOPED AWAY FROM THE BUILDING.
5. LAGGING SHALL BE USED AROUND ALL STORMWATER AND SEWER PIPE PENETRATIONS THROUGH EXTERNAL FOOTINGS. THE LAGGING SHALL BE A MINIMUM OF 20mm THICK ON CLASS M SITES.
6. JOINTS IN PLUMBING SHALL BE PROVIDED WITHIN 1m OF THE HOUSE UNDER CONSTRUCTION. JOINTS SHALL BE ARTICULATED TO ACCOMMODATE GROUND MOVEMENTS WITHOUT LEAKAGE.
7. TREES SHALL NOT BE PLANTED WITHIN 1 x THEIR MATURE HEIGHT.
8. EXCAVATIONS NEAR THE EDGE OF THE FOOTING SYSTEM SHALL BE BACKFILLED IN SUCH A WAY AS TO PREVENT ACCESS OF WATER TO THE FOUNDATION. FOR EXAMPLE, EXCAVATIONS SHOULD BE BACKFILLED ABOVE OR ADJACENT TO THE FOOTING WITH MOIST CLAY COMPACTED BY HAND-RODDING OR TAMPING. POROUS MATERIAL SUCH AS SAND, GRAVEL OR BUILDING RUBBLE SHOULD NOT BE USED.
9. WHERE PIPES PASS UNDER THE FOOTING SYSTEM, THE TRENCH SHALL BE BACKFILLED FULL DEPTH WITH CLAY TO ACT AS A BARRIER TO THE INGRESS OF WATER BENEATH THE FOOTING SYSTEM.
10. CONCRETE IN BEAMS SHALL BE MECHANICALLY VIBRATED.

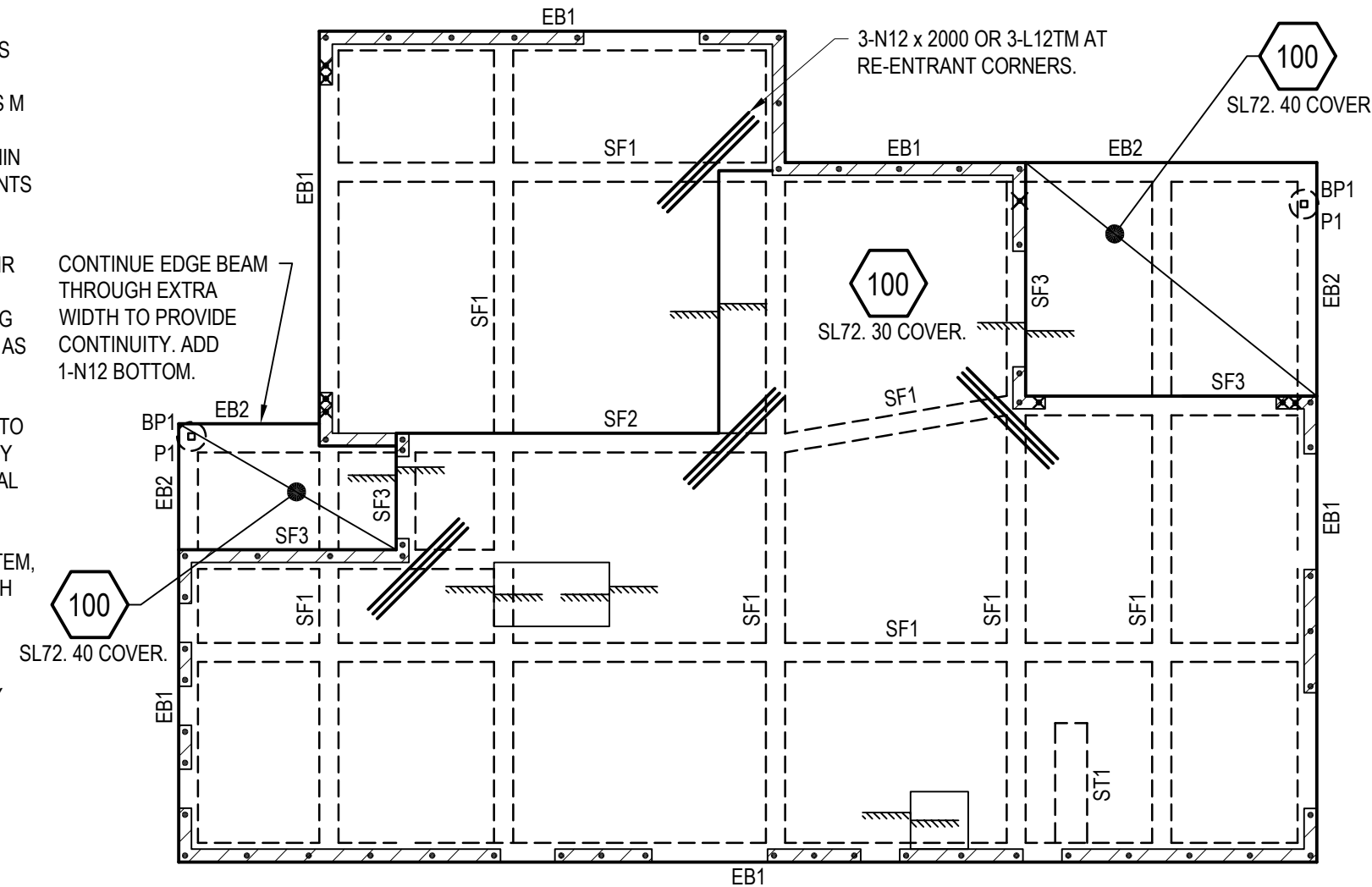
CONCRETE MASONRY:

VERTICAL REINFORCEMENT:
 1/N12 BAR IN EACH CORNER, EITHER SIDE OF OPENINGS LESS THAN 2400 THEN AT 1200 MAXIMUM CENTRES.
 2/N12 BARS EITHER SIDE OF OPENINGS 2400 BUT LESS THAN 3600.
 2/N16 BARS EITHER SIDE OF OPENINGS GREATER THAN 3600.
 ALL CORES CONTAINING REINFORCEMENT AND ENTIRE BOND BEAM TO BE FULLY FILLED WITH 20MPa CONCRETE.

- DENOTES N12 REINFORCING.
- × DENOTES N16 REINFORCING.

HORIZONTAL BARS:

BOND BEAM - 400D (2 COURSE) BOND BEAM WITH 1-N16 IN TOP AND BOTTOM COURSE TO PERIMETER OF BLOCKWORK UNO. LAP 600 AS REQUIRED.
 1-N12 IN SILLS TYP.



FOOTING AND SLAB PLAN

1:100

FOOTING SCHEDULE

MARK	SIZE
BP1	Ø450 x 900 DEEP BORED PIER. 1-N12 CENTRAL.
EB1	300W x 300D EDGE BEAM. 3-L12TM BOTTOM.
EB2	300W x 300D EDGE BEAM. 3-L12TM BOTTOM.
P1	100 SQ F14 HWD POST.
SF1	300W x 400D STRIP FOOTING. 3-L12TM BOTTOM.
SF2	300W x 400D STRIP FOOTING. 3-L12TM BOTTOM.
SF3	300W x 400D STRIP FOOTING. 3-L12TM BOTTOM.
ST1	500W x 150D SLAB THICKENING. 3-L11TM BOTTOM.

MINIMUM HEIGHT OF SLAB FOR HABITABLE ROOMS SHALL BE 300mm.
 GROUND AROUND THE PERIMETER OF THE BUILDING SHALL SLOPE 50mm IN 1000mm MIN AWAY FROM THE BUILDING.
 CUT AND PROVIDE FILL AROUND BUILDING AS REQUIRED TO MAINTAIN FALLS AND REQUIRED LEVELS. ALL CONCRETE TO BE CAST IN ACCORDANCE WITH THE REQUIREMENTS OF AS3600 AND AS2870.
 GRADE (FALL) ALL WET AREAS TO FLOOR WASTE GULLIES AS REQUIRED.
 BUILDING WORK SHALL BE PROTECTED FROM TERMITE ATTACK IN ACCORDANCE WITH AS 3660.1.
 A TERMITE PROTECTION NOTICE ADVISING OF THE TYPE OF PROTECTION USED BEING PRINTED ON DURABLE MATERIAL AND CONFORMING WITH THE BCA PART B 1.3(J)(ii) TO BE INSTALLED IN METER BOX AND KITCHEN CUPBOARD PRIOR TO COUNCILS FINAL INSPECTION (MIN 2 DURABLE NOTICES REQUIRED).

**AS2870 EQUIVALENT CONSTRUCTION:
 ARTICULATED MASONRY VENEER CONSTRUCTION
 CLASS "M" SITE**

REFER SOIL INVESTIGATION REPORT XXX.XX

**ISSUED FOR
 CONSTRUCTION**

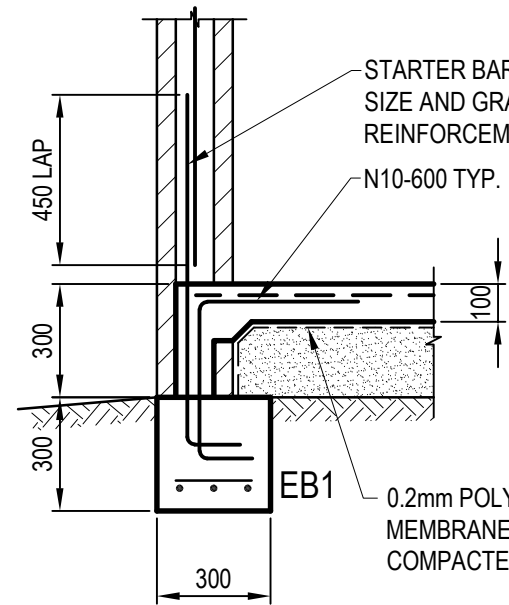
Rev	Description	Designed	Approved	Date
0	FOR CONSTRUCTION	MAC	MAC	21/03/13



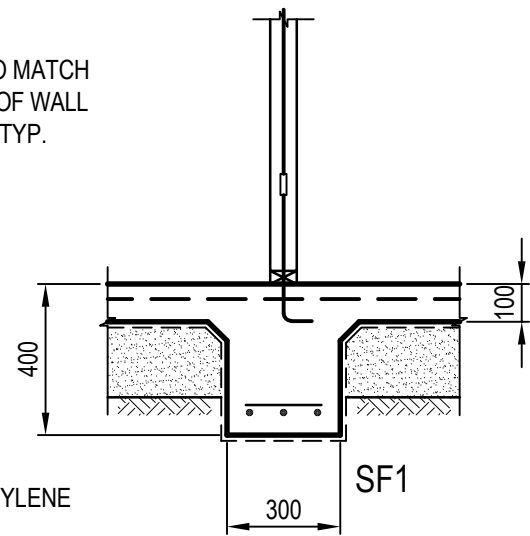
PO BOX 2572
 ASCOT QLD 4007
 PHONE: 07 3102 2835
 ABN 71 105 354 327
 CORNELLENGINEERS.COM.AU

Project
PROPOSED DISPLAY HOME
 Title
FOOTING AND SLAB PLAN

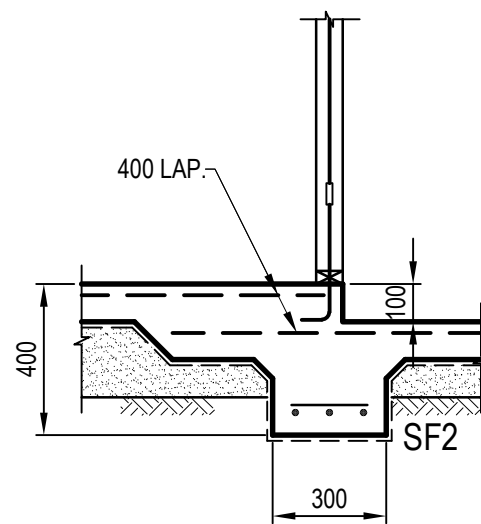
Job No.
SAMPLE
 Scale
1:100
 Drawing No.
S4
 Revision
0



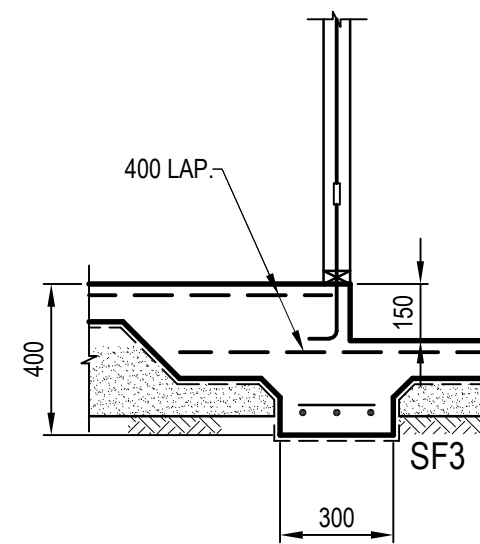
TYPICAL EB1 DETAIL
1:20



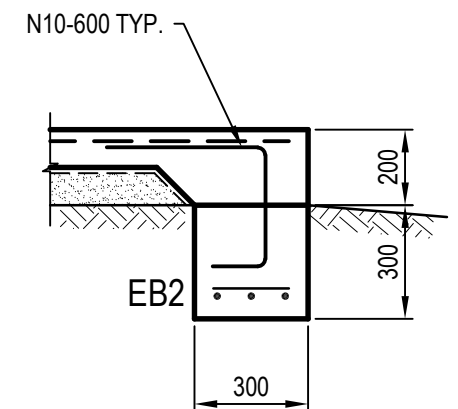
TYPICAL SF1 DETAIL
1:20



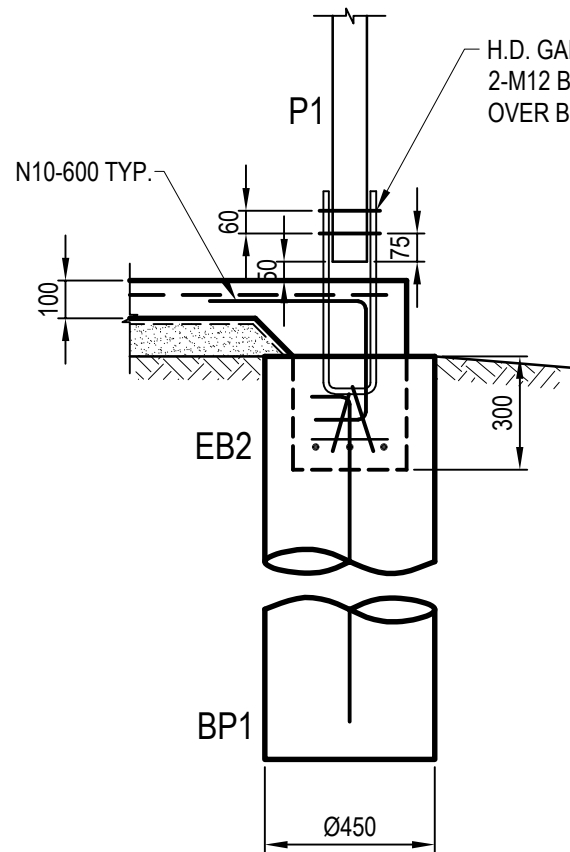
TYPICAL SF2 DETAIL
1:20



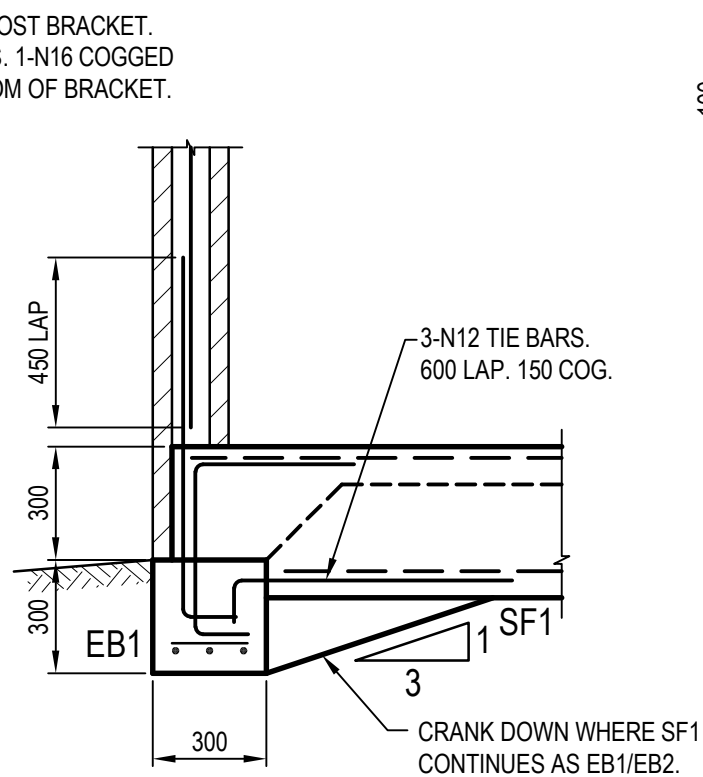
TYPICAL SF3 DETAIL
1:20



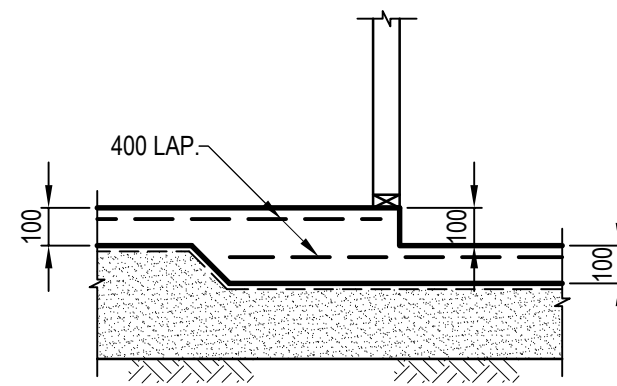
TYPICAL EB2 DETAIL
1:20



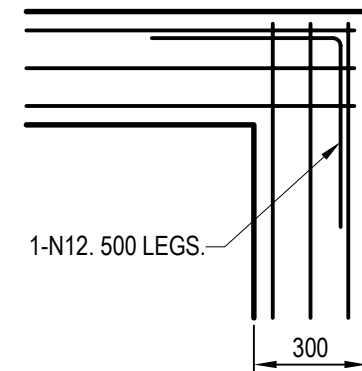
TYPICAL BP1/EB2 DETAIL
1:20



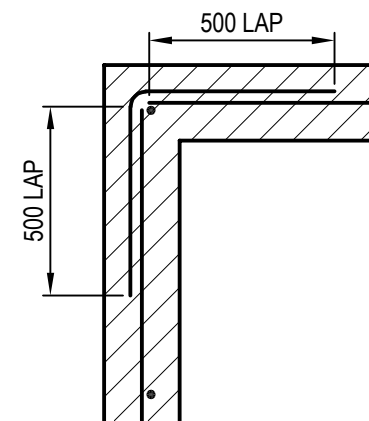
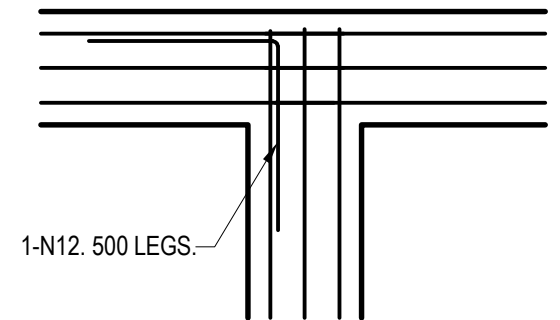
TYPICAL EB1/SF1 DETAIL
1:20



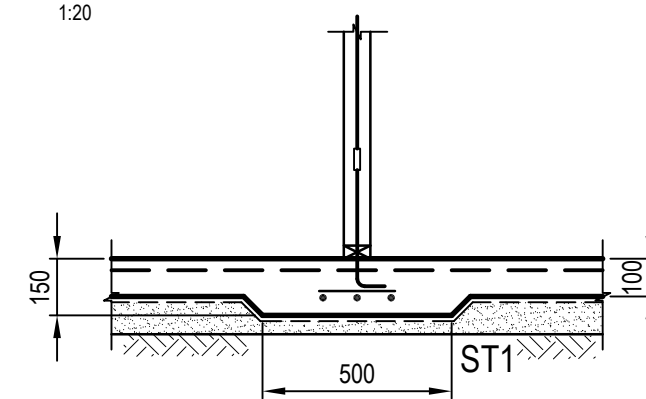
TYPICAL STEP DOWN DETAIL
1:20



FOOTING REINFORCEMENT LAP CORNER DETAILS
1:20



CONCRETE MASONRY CORNER DETAILS
1:20



TYPICAL ST1 DETAIL
1:20

ISSUED FOR CONSTRUCTION

Rev	Description	Designed	Approved	Date
0	FOR CONSTRUCTION	MAC	MAC	21/03/13



PO BOX 2572
ASCOT QLD 4007
PHONE: 07 3102 2835
ABN 71 105 354 327
CORNELLENGINEERS.COM.AU

Project PROPOSED DISPLAY HOME	Job No. SAMPLE	Scale 1:20
Title FOOTING DETAILS	Drawing No. S5	Revision 0

ROOF BATTENS:
35 x 70 MGP12 ROOF BATTENS AT 600 CENTRES. 1/75mm No 14 TYPE 17 SCREW TO EACH TRUSS.

ROOF TRUSSES:
TRUSSES AT 900 MAXIMUM CENTRES WITH PITCH AND OVERHANG AS SPECIFIED BY THE ARCHITECT. NOTE INTERNAL PRESSURE CO-EFFICIENT TO BE 0.7/-0.5. TRUSSES TO BE SEASONED PINE MGP12 (H2) OR HWD F14 - J2. TRUSS TO TRUSS CONNECTIONS TO BE AS DESIGNED AND SPECIFIED BY THE TRUSS MANUFACTURER.

ROOF BRACING:
TYPE, POSITION AND TYPE OF FIXING TO BE AS SPECIFIED BY THE TRUSS MANUFACTURER.

CEILING:
CEILING FIXED TO EX 42 x 35 PINE BATTENS IN ACCORDANCE WITH MANUFACTURERS SPECIFICATION.

WALL FRAMING:
LOAD BEARING WALLS:
COMMON STUDS: 70 x 35 MGP12 AT 450 CTS
TOP PLATES: 2/35 x 70 MGP12
BOTTOM PLATES: 35 x 70 MGP12
NOGGINGS AT 1350 MAX HORIZ. CTS.
M12 TIE RODS WITHIN 100mm OF ROOF TRUSSES TO ACHIEVE DIRECT TIEDOWN.

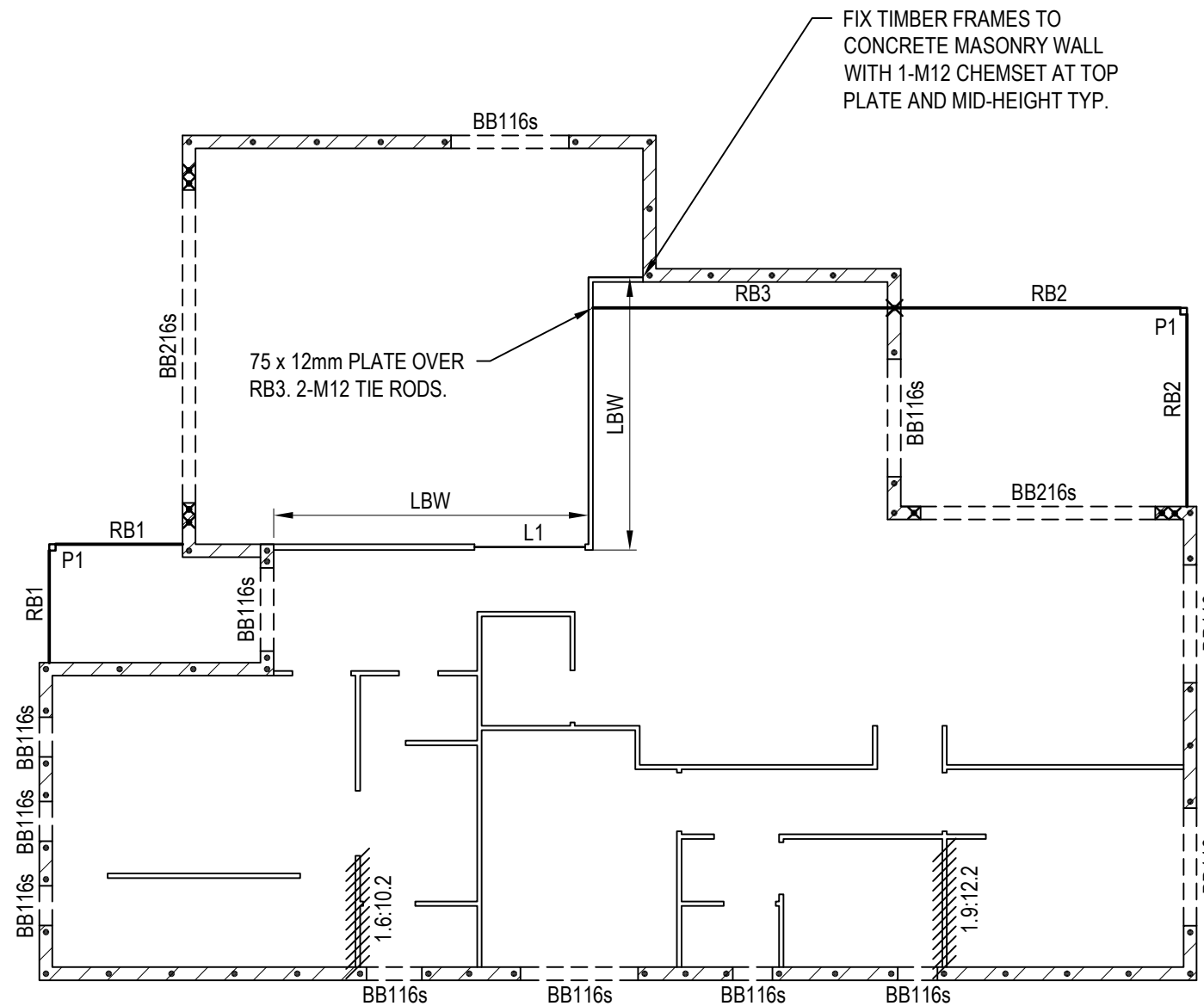
JAMB STUDS:
OPENING: ≤900 = 2/70 x 35 MGP12

INTERNAL NON-LOAD BEARING WALLS:
COMMON STUDS: 70 x 35 MGP10 AT 450 CTS
TOP PLATES: 35 x 70 MGP10
BOTTOM PLATES: 35 x 70 MGP10

BRACING WALLS:
STRUCTURAL BRACING WALL CONSTRUCTED TO 6.4kN/m RATED BRACING CAPACITY. TOTAL BRACING CAPACITY OF BRACING WALLS IS GIVEN IN KN.

1.8:11.5

TRUSS TO BRACING WALLS:
BUILDER TO ESTABLISH THE NUMBER OF CONNECTIONS BETWEEN BRACING WALL AND ROOF FRAMING. No. OF CONNECTIONS = $\frac{\text{BRACING WALL CAPACITY}}{\text{CONNECTION CAPACITY}}$.



WIND DIRECTION A
REQUIRED: 63kN
ACHIEVED: 146kN

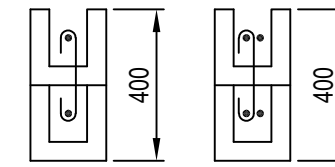
BRACING PLAN
1:100

MEMBER SCHEDULE

MARK	SIZE
L1	190 x 45 MGP12 LINTEL.
P1	100 SQ F14 HWD POST.
RB1	130 x 65 HYNE BEAM 17C ROOF BEAM.
RB2	195 x 65 HYNE BEAM 17C ROOF BEAM.
RB3	295 x 85 HYNE BEAM 17C ROOF BEAM.

WIND DIRECTION B
REQUIRED: 53kN
ACHIEVED: 368kN

LINTELS:
BB116s - 400D (2 COURSE) BLOCK LINTEL, 1-N16 IN TOP AND BOTTOM COURSE WITH W8 STIRRUPS AT 200 CENTRES
BB216s - 400D (2 COURSE) BLOCK LINTEL, 2-N16 IN TOP & BOTTOM COURSE WITH W8 STIRRUPS AT 200 CENTRES.



BB116s

BB216s

ISSUED FOR CONSTRUCTION

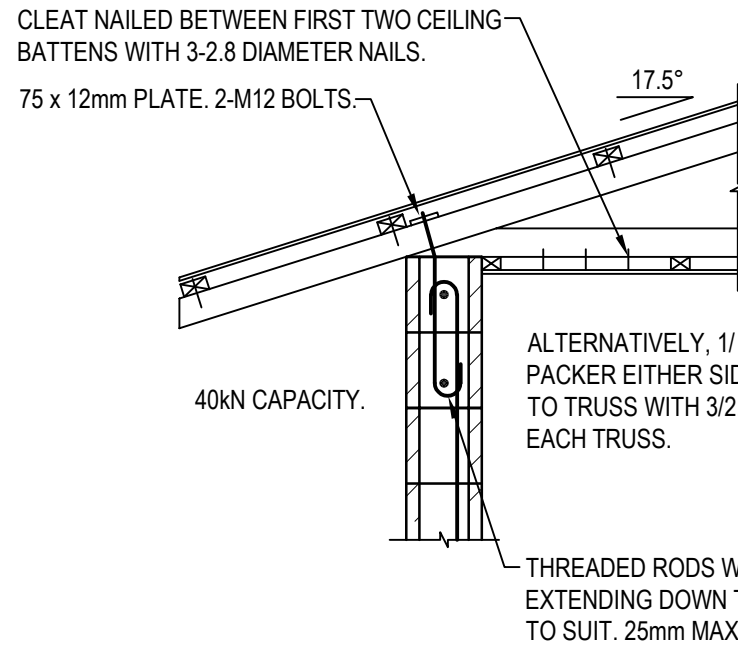
Rev	Description	Designed	Approved	Date
0	FOR CONSTRUCTION	MAC	MAC	21/03/13



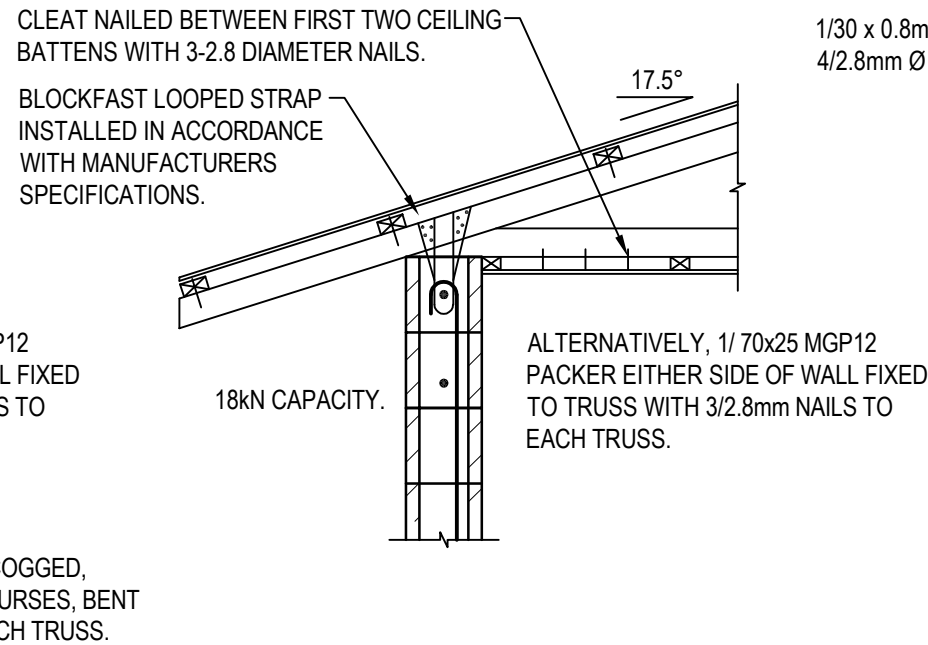
PO BOX 2572
ASCOT QLD 4007
PHONE: 07 3102 2835
ABN 71 105 354 327
CORNELLENGINEERS.COM.AU

Project
PROPOSED DISPLAY HOME
Title
BRACING PLAN

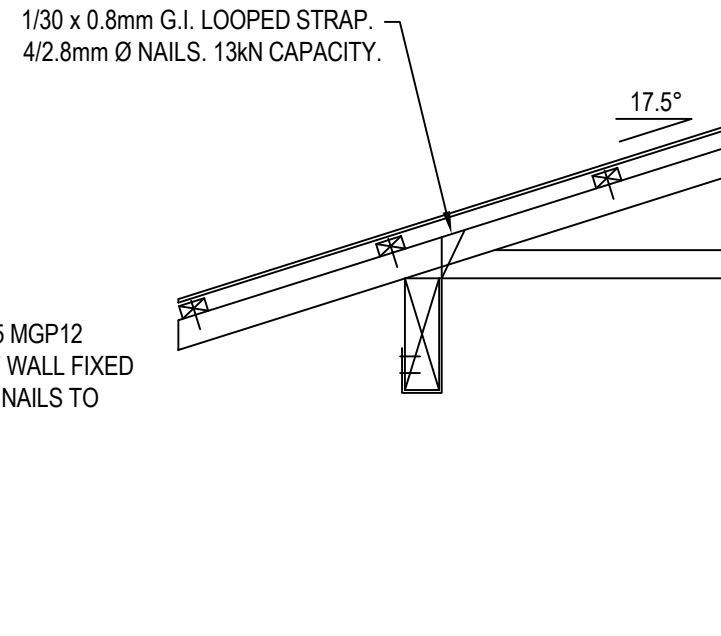
Job No.
SAMPLE
Scale
1:100
Drawing No.
S6
Revision
0



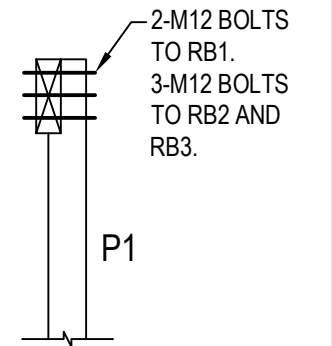
TRUSS TIE DOWN DETAIL
1:20



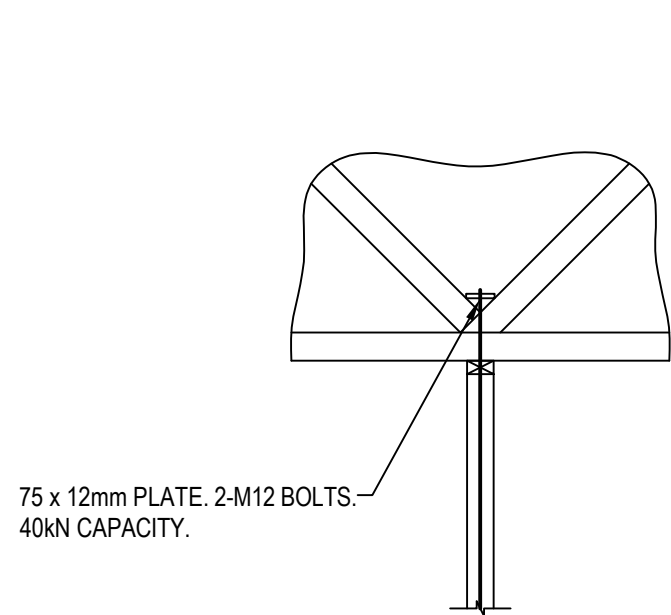
TRUSS TIE DOWN DETAIL
1:20



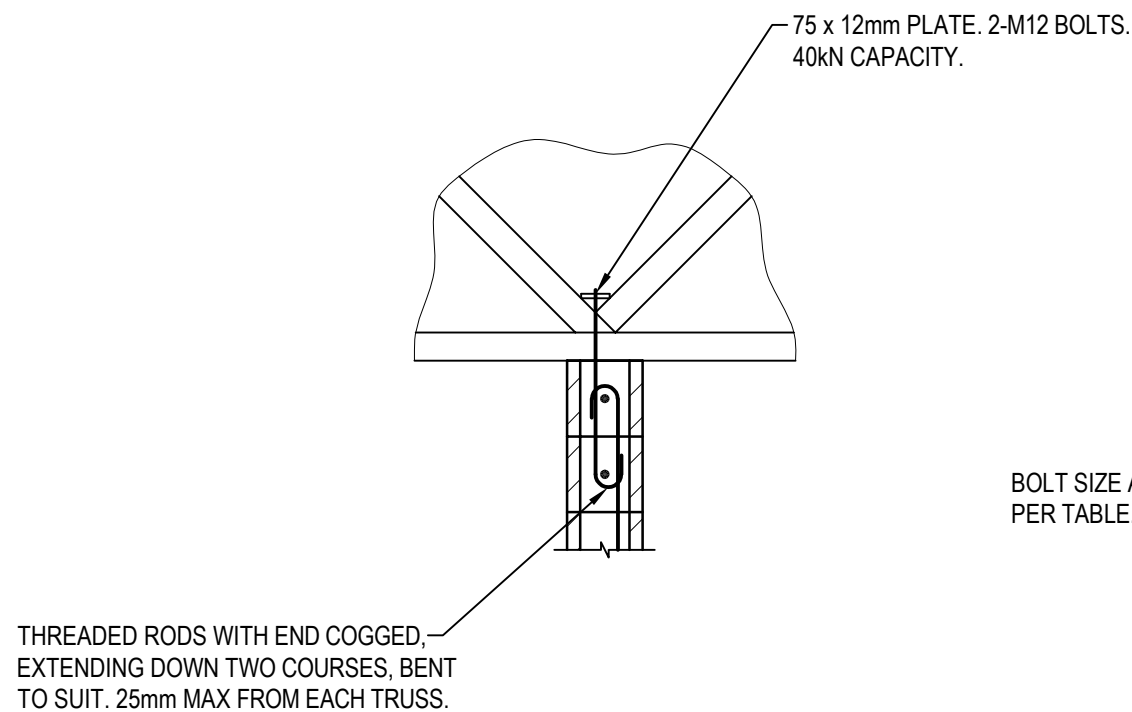
TRUSS TO ROOF BEAM DETAIL
1:20



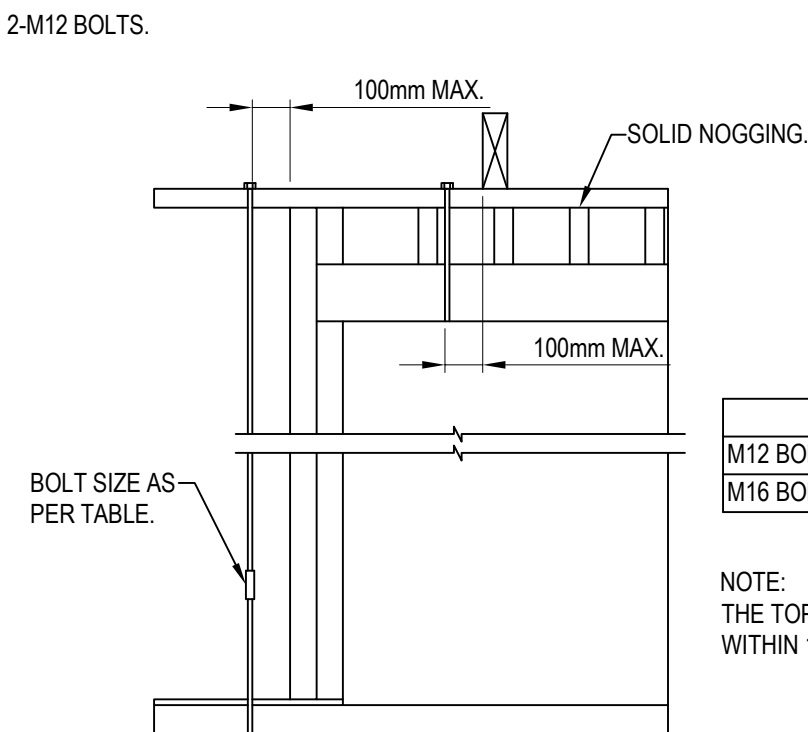
ROOF BEAM TO P1 DETAIL
1:20



TRUSS TO WALL DETAIL
1:20



TRUSS TO WALL DETAIL
1:20



	J2	J3	J4	JD4	JD5	JD6
M12 BOLT	27	27	26	20	16	12
M16 BOLT	50	50	46	35	28	21

NOTE:
THE TOP PLATE SHALL BE FIXED TO THE LINTEL WITHIN 100mm OF EACH RAFTER/TRUSS.

LINTEL TIE DOWN DETAIL
NTS

ISSUED FOR CONSTRUCTION

Rev	Description	Designed	Approved	Date
0	FOR CONSTRUCTION	MAC	MAC	21/03/13

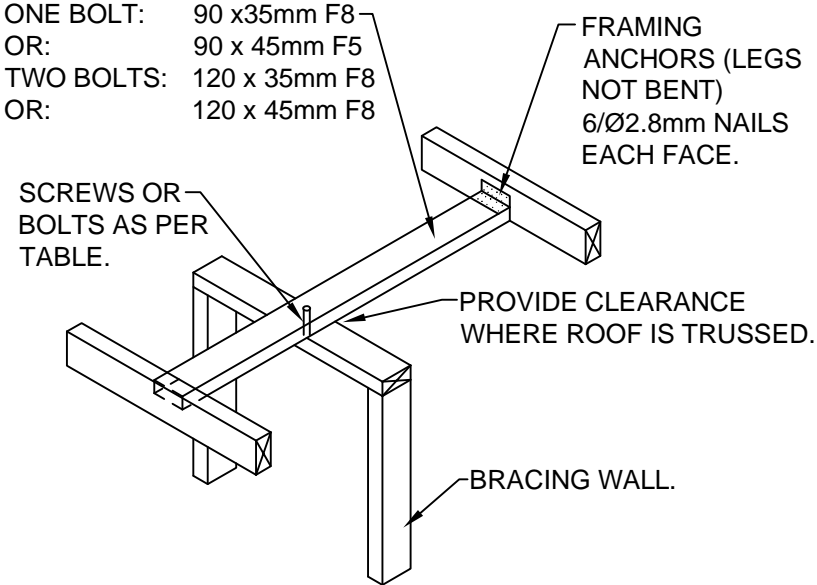


PO BOX 2572
ASCOT QLD 4007
PHONE: 07 3102 2835
ABN 71 105 354 327
CORNELLENGINEERS.COM.AU

Project
PROPOSED DISPLAY HOME
Title
ROOF FRAMING DETAILS

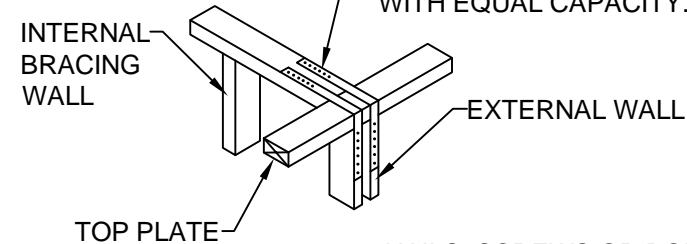
Job No.
SAMPLE
Drawing No.
S7
Scale
1:20
Revision
0

TRIMMER:
 ONE BOLT: 90 x 35mm F8
 OR: 90 x 45mm F5
 TWO BOLTS: 120 x 35mm F8
 OR: 120 x 45mm F8

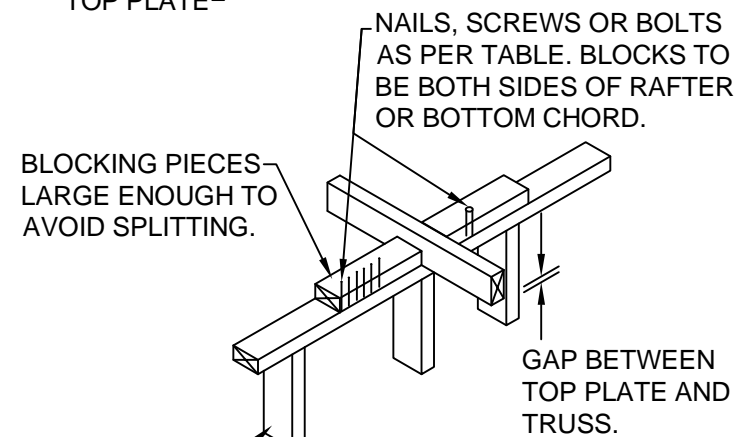


	J2	J3	J4	JD4	JD5	JD6
SCREWS						
1/No.14 TYPE 17	4.8	3.5	2.5	3.5	2.5	1.8
2/No.14 TYPE 17	9.7	6.9	4.9	6.9	4.9	3.6
3/No.14 TYPE 17	13	9.3	6.6	9.8	7.4	5.4
BOLTS						
M10	6.4	4.1	2.6	4.3	3.0	2.0
M12	7.6	4.9	3.1	5.1	3.6	2.5
2/M10	12	8.0	5.1	8.4	5.9	4.0
2/M12	13	9.3	6.1	9.8	7.0	4.9

2/30 x 0.8mm G.I STRAPS WITH NUMBER OF NAILS EACH END OF STRAPS AS PER TABLE, OR PROPRIETY NAILING PLATE WITH EQUAL CAPACITY.

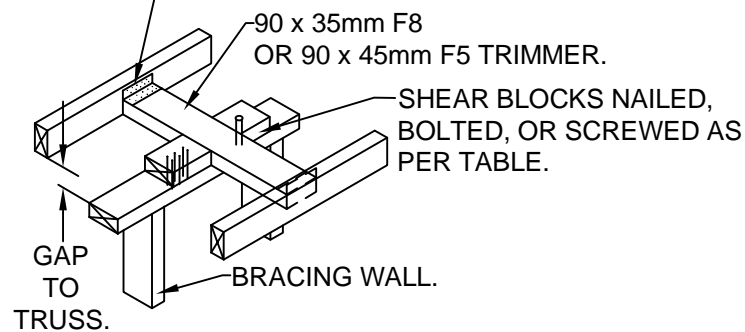


STRAPS	NAILS	J2	J3	J4	JD4	JD5	JD6
1	4/2.8	4.3	3.1	2.2	3.3	3.0	2.1
	6/2.8	6.5	4.6	3.3	4.9	4.0	3.1
2	4/2.8	8.7	6.2	4.4	6.6	5.4	4.1
	6/2.8	13	9.3	6.6	9.8	8.1	6.1



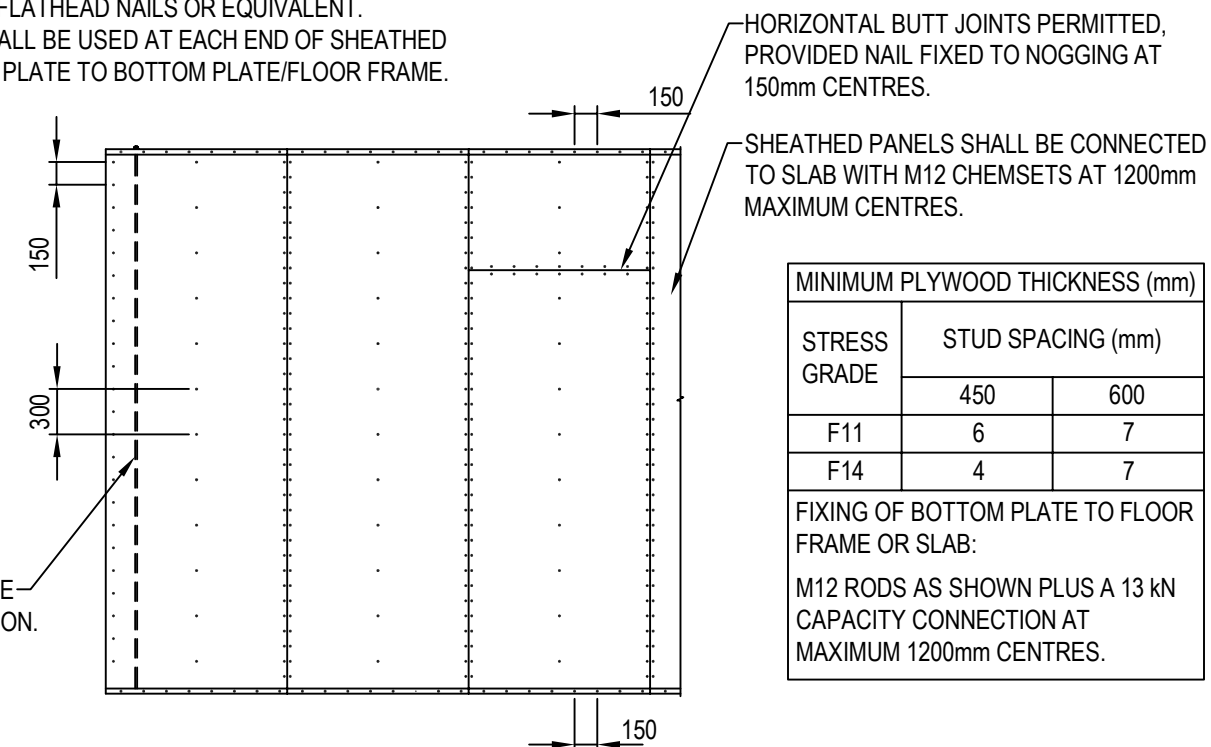
	J2	J3	J4	JD4	JD5	JD6
NAILS						
4/3.05	5.0	3.6	2.5	3.6	3.0	2.2
6/3.05	6.6	4.7	3.4	5.0	4.2	3.1
4/3.33	5.6	4.0	2.8	4.0	3.3	2.5
6/3.33	7.4	5.3	3.7	5.5	4.6	3.5
BOLTS						
M10	6.4	4.1	2.6	4.3	3.0	2.0
M12	7.6	4.9	3.1	5.1	3.6	2.5
2/M10	13	8.0	5.1	8.4	5.9	4.0
SCREWS						
2/No. 14 TYPE 17	9.7	6.9	4.9	6.9	4.9	3.6
3/No. 14 TYPE 17	15	10	7.4	10	7.4	5.4

NAILING PLATES OR FRAMING ANCHOR (LEGS NOT BENT) TO EITHER END OF NOGGING 6/Ø2.8mm NAILS EACH END FACE OR 2/No. 14 TYPE 17 BATTEN SCREWS EITHER END.



	J2	J3	J4	JD4	JD5	JD6
NAILS						
4/3.05	5.0	3.6	2.5	3.6	3.0	2.2
6/3.05	6.6	4.7	3.4	5.0	4.2	3.1
4/3.33	5.6	4.0	2.8	4.0	3.3	2.5
6/3.33	7.4	5.3	3.7	5.5	4.6	3.5
BOLTS						
M10	6.4	4.1	2.6	4.3	3.0	2.0
M12	7.6	4.9	3.1	5.1	3.6	2.5
2/M10	13	8.0	5.1	8.4	5.9	4.0
SCREWS						
2/No. 14 TYPE 17	9.7	6.9	4.9	6.9	4.9	3.6
3/No. 14 TYPE 17	13	9.2	6.6	9.8	7.4	5.4

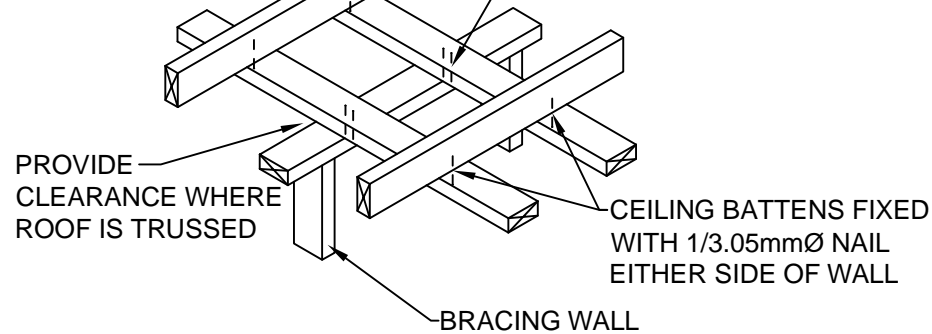
BRACING WALL - PLYWOOD SHALL BE NAILED TO FRAME USING 30 x 2.8Ø GALVANISED FLATHEAD NAILS OR EQUIVALENT. M12 RODS SHALL BE USED AT EACH END OF SHEATHED SECTION TOP PLATE TO BOTTOM PLATE/FLOOR FRAME.



MINIMUM PLYWOOD THICKNESS (mm)		
STRESS GRADE	STUD SPACING (mm)	
	450	600
F11	6	7
F14	4	7

FIXING OF BOTTOM PLATE TO FLOOR FRAME OR SLAB:
 M12 RODS AS SHOWN PLUS A 13 kN CAPACITY CONNECTION AT MAXIMUM 1200mm CENTRES.

RAFTER OR TRUSS - 2/3.05mmØ NAILS PER BATTEN, 3.5mmØ HOLES SHALL BE DRILLED IN BATTEN TO ALLOW FOR TRUSS DEFLECTION



J2	J3	J4	JD4	JD5	JD6
2.5	1.8	1.3	1.8	1.5	1.1

M12 ROD TOP TO BOTTOM PLATE EACH END OF SHEATHED SECTION.

SINGLE SIDED PLYWOOD BRACING WALL: 6.4kN/m CAPACITY
 NTS

ISSUED FOR CONSTRUCTION

Rev	Description	Designed	Approved	Date
0	FOR CONSTRUCTION	MAC	MAC	21/03/13



PO BOX 2572
 ASCOT QLD 4007
 PHONE: 07 3102 2835
 ABN 71 105 354 327
 CORNELLENGINEERS.COM.AU

Project PROPOSED DISPLAY HOME	Job No. SAMPLE	Scale NTS
Title BRACING DETAILS	Drawing No. S8	Revision 0